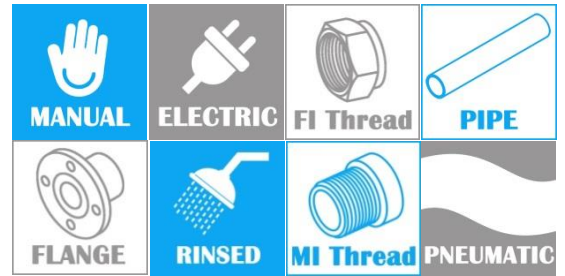
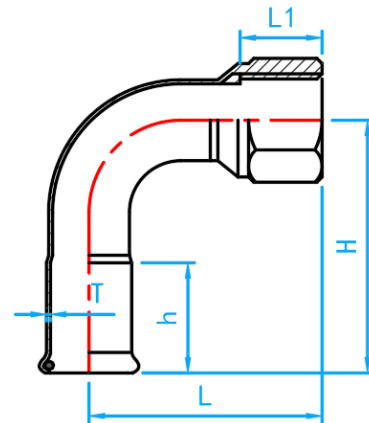


STAINLESS STEEL 316L PRESS FIT FITTINGS (M PROFILE)

COMPLY WITH BSEN1254-2:1998
AS 3688:2005
AS/NZS 4020:2005
ASTM E1086:2014
SS 375:2015
SS 270:2015



FI 90° ELBOW



CROSS SECTIONAL VIEW

DIMENSIONS

SKU	SIZE (mm × inch)	L (mm)	H (mm)	h (mm)	L1 (mm)	T (mm)	WEIGHT (kg)	PCS/CTN
SS316LPFNFI01515	15×1/2" BSP	55	43	20	15.5	1.5	0.067	300
SS316LPFNFI02015	22×1/2" BSP	48	49	21	15.5	1.5	0.086	160
SS316LPFNFI02020	22×3/4" BSP	58	50	21	16.0	1.5	0.079	160
SS316LPFNFI02515	28×1/2" BSP	72	60	23	15.5	1.5	0.126	160
SS316LPFNFI02520	28×3/4" BSP	67	60	23	20.0	1.5	0.139	80
SS316LPFNFI02525	28×1" BSP	70	60	23	20.0	1.5	0.146	70
SS316LPFNFI03515	35×1/2" BSP	86	71	26	15.5	1.5	0.180	60
SS316LPFNFI03520	35×3/4" BSP	80	71	26	20.0	1.5	0.185	60
SS316LPFNFI03525	35×1" BSP	68	52	26	20.0	1.5	0.200	60
SS316LPFNFI03525M	35×1" BSP	78	71	26	22.0	1.5	0.210	50
SS316LPFNFI03525L	35×1" BSP	80	90	26	22.0	1.5	0.230	40
SS316LPFNFI03535	35×11/4" BSP	81	72	26	22.0	1.5	0.220	80
SS316LPFNFI04215	42×1/2" BSP	86	85	31	15.5	1.5	0.210	30
SS316LPFNFI04242	42×11/2"	110	112	31	25.0	1.5	0.470	30
SS316LPFNFI05015	54×1/2" BSP	110	105	36	15.5	1.5	0.350	21
SS316LPFNFI05050	54×2" BSP	115	108	36	28.0	1.5	0.540	30
SS316LPFNFI06565	67×21/2" BSP	133	143	50	33.0	2.0	1.007	13